

D

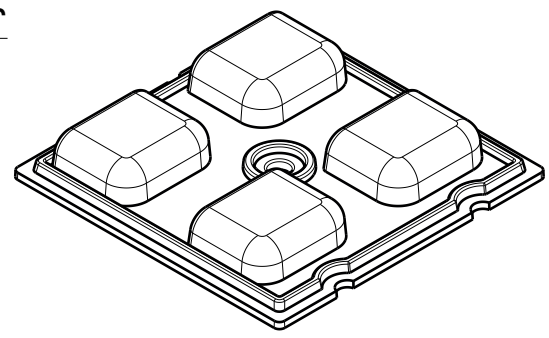
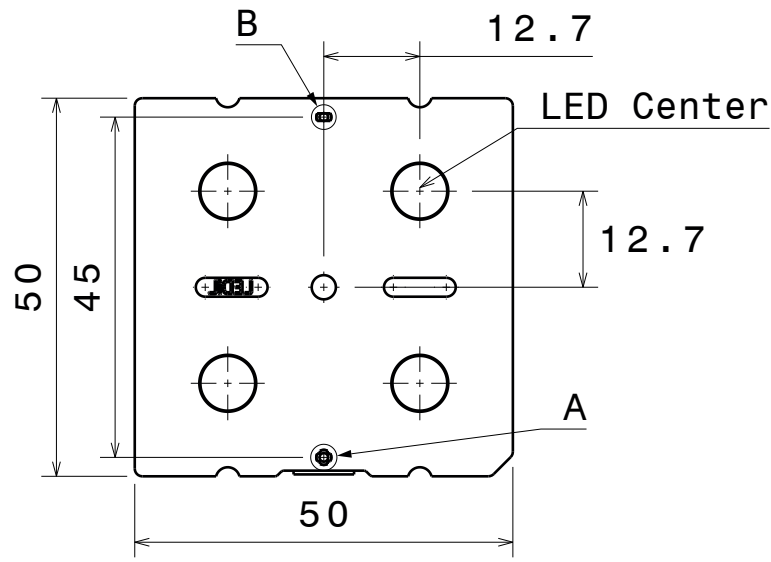
C

B

A

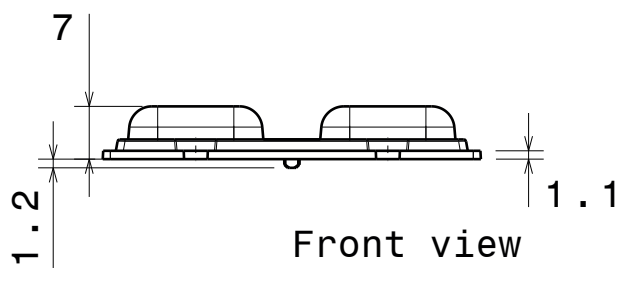
4

4



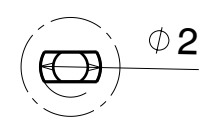
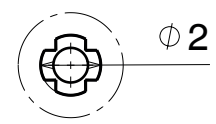
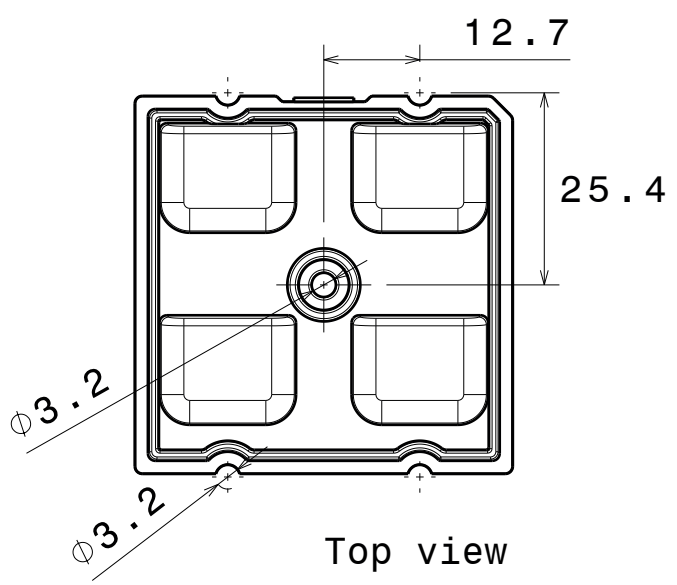
3

3



2

2



1

1

Plastic moulding general tolerances according to DIN 16901-130 and applies if not otherwise shown in the drawing. Silicone moulding general tolerances according to ISO 3302-1 Class M3 and applies if not otherwise shown in the drawing.

THIRD ANGLE PROJECTION:

This drawing is the property of LEDiL Oy. It may not be reproduced, copied or communicated without a written agreement with LEDiL Oy.

LEDiL Ledil Oy
 Salorankatu 10
 FIN 24240 SALO
 Finland

DRAWING TITLE
STRADA-2X2-ME-WIDE2

SIZE	PART NUMBER
A4	C14165

SCALE	1:1	WEIGHT	-	SHEET	1/1
-------	-----	--------	---	-------	-----

D

A